



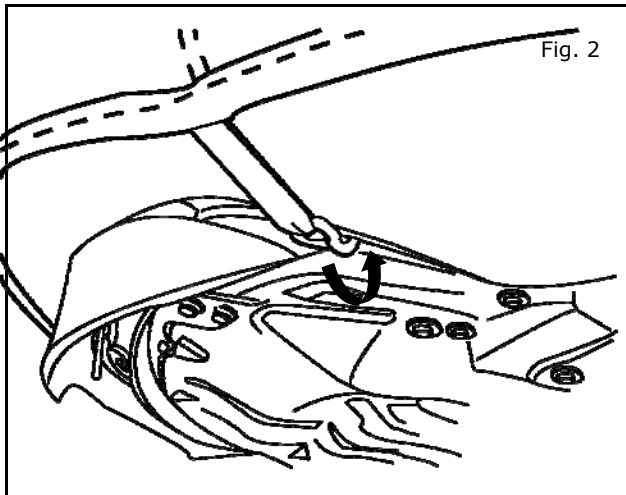
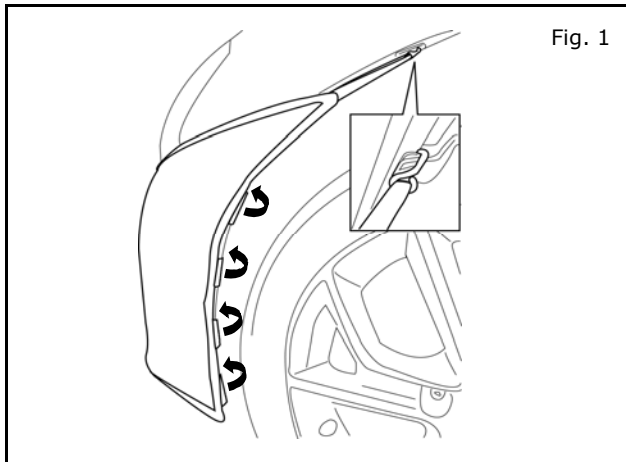
## GENUINE PARTS

### INSTALLATION INSTRUCTIONS

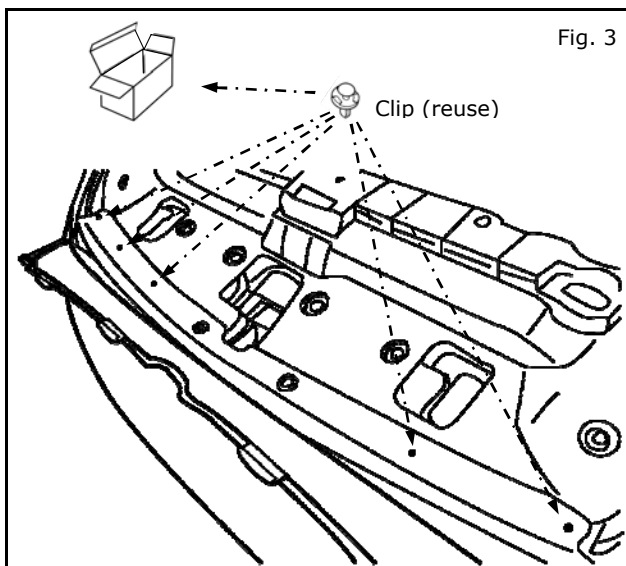
<b>DESCRIPTION:</b>	Nose Mask		
<b>APPLICATION:</b>	370Z		
<b>PART NUMBER:</b>	999N1 ZZ000		
<b>KIT CONTENTS:</b>			
<b>Item</b>	<b>QTY</b>	<b>Part Description</b>	<b>Service Part Number</b>
A	1	Nose Mask	N/A
B	1	Installation Instructions Replacement Template	999V2 AW000
<b>TOOLS REQUIRED:</b>			
● Scissors      ● Flathead Screwdriver			
<b>PRE-INSTALLATION CAUTIONS/NOTES:</b>			
<ul style="list-style-type: none"><li>● The area to be covered by the mask must be free of dirt. The flannel surface of the nose mask must be especially clean.</li><li>● Both the vehicle and the mask must be completely dry. If moisture is present under the mask and is allowed to dry, it may cause the paint to cloud. If mask gets wet, remove and allow to dry completely.</li><li>● Any repainted surface in contact with mask must be completely cured.</li><li>● DO NOT pull the mask from any of the openings when installing the mask. This may result in DAMAGE to your mask.</li><li>● If the nose mask should flap due to high speed or wind conditions, stop car and adjust or remove mask.</li></ul>			
<b>CARE OF NOSE MASK:</b>			
<ul style="list-style-type: none"><li>● To clean the vinyl and flannel backing, use a cleaner such as "409" or "Fantastic".</li><li>● The vinyl surface may be cleaned by simply spraying the cleaner onto the vinyl and wiping off with a cloth or sponge.</li><li>● To clean the flannel backing, liberally spray the cleaner on the area to be cleaned. If heavily soiled, use a cloth or sponge with the cleaner and rub the soiled area gently. Repeat if necessary. Rinse completely with clear water when finished. Hang to dry, but not in direct sunlight. Before installation, ensure both the vehicle and the nose mask are completely dry. If there is moisture under the nose mask and it is not allowed to dry, paint clouding can occur.</li></ul>			
<b>▲ CAUTION</b>			
Caution attach all elastics with hooks and clips carefully and securely. Accidental release may cause injury.			

## INSTALLATION PROCEDURE:

- 1) Remove license plate and license plate bracket (if applicable).
  - a) Remove 2 license plate screws.
  - b) Remove 2 license plate bracket screws.
- 2) Open hood and place mask over hood edge.
- 3) Attach hook above and behind clip.
- 4) Perform step 3) on other side.
- 5) Pull mask down.
- 6) Attach 4 clips to inside edge of fascia.
- 7) Perform step 6) on other side.



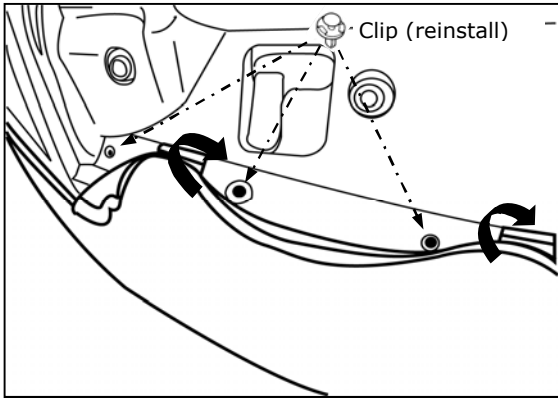
- 8) Attach hook to rear edge of front bumper.
- 9) Perform step 8) on other side.



- 10) Using a flathead screwdriver remove (5) plastic push pins from upper fascia under hood at marked locations.

**INSTALLATION PROCEDURE:** (continue)

Fig. 4



- 11) Attach clips on fascia edge.
- 12) Reinstall clips.

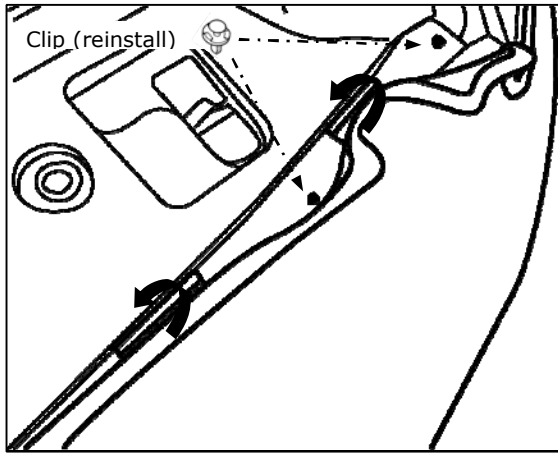
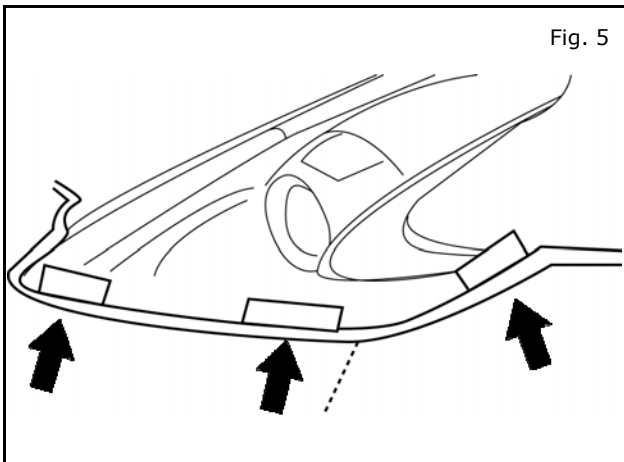
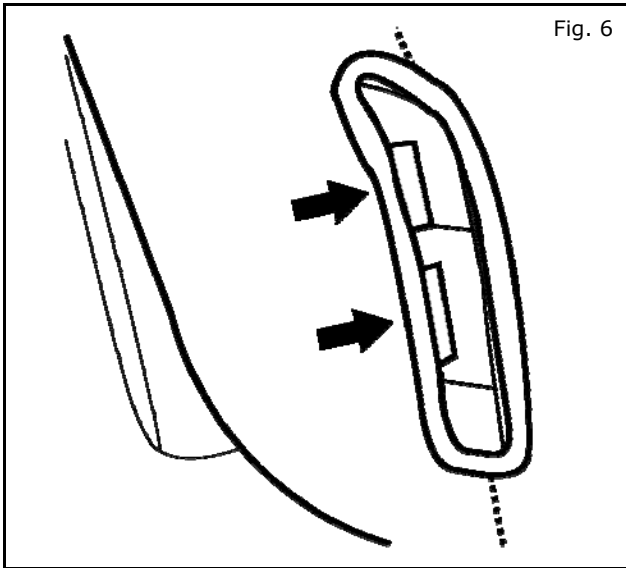


Fig. 5

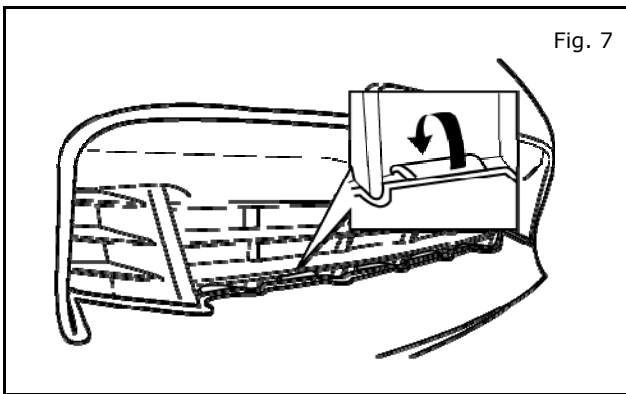


- 13) Insert pads under headlamp.
- 14) Perform step 13) on other side.

**INSTALLATION PROCEDURE:** (continue)



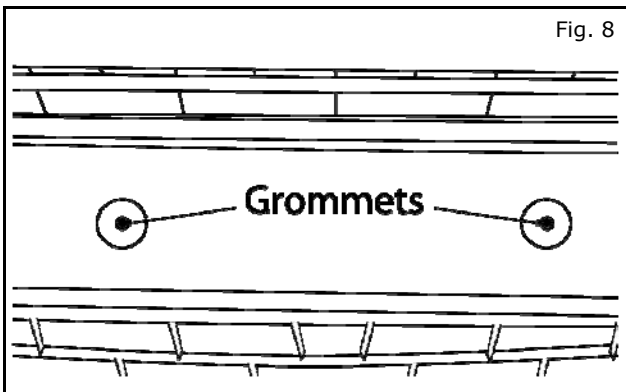
- 15) Insert pads into gap beside lower turn signal light.
- 16) Perform step 15) on other side.



- 17) Attach 5 clips to front lower grille.

**NOTE:**

**If vehicle had a license plate bracket, perform steps 20-22.**



- 18) Poke holes through mask into center license plate brackets grommets.
- 19) Cut clearance holes (1"-2") so that license plate bracket pads will rest on fascia.
- 20) Reinstall license plate bracket and plate.